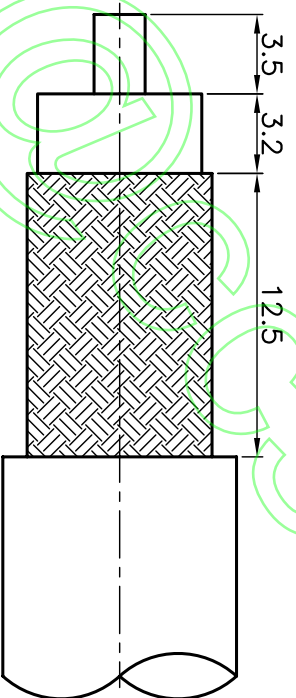
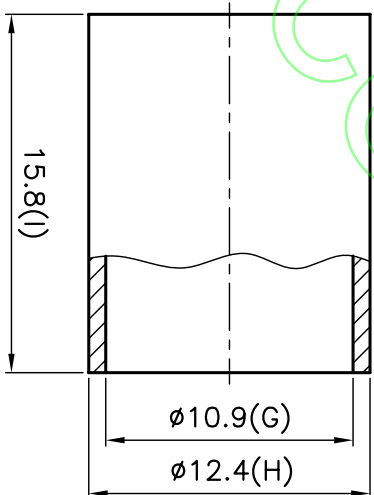
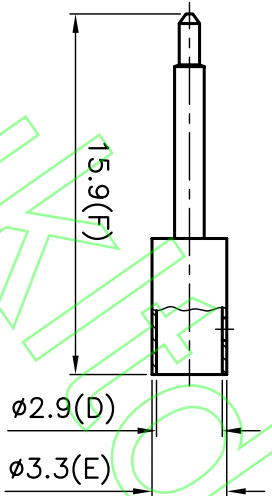
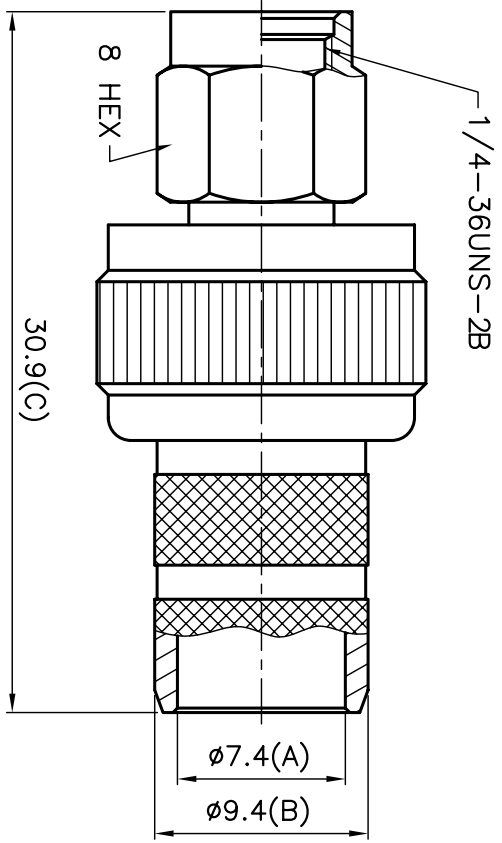


ISS	REVISIONS	DESCRIPTION \ DATE

RoHS COMPLIANT



CABLE STRIPPING DIM'S



TITLE: SMA MALE / CRIMP
(FOR RG214)

PART NO: SMAPCR214

DR. NO: .

APRD:	UNLESS OTHERWISE SPECIFIED TOLERANCES 0.5-6 = ±0.2 >6-30 = ±0.4 >30-120 = ±0.6 >120-315 = ±1.1 >315-1000 = ±1.6 ANGLES = ±5°
CHKD:	
DR:	
DATE: 11/07/06"	UNIT: mm
SCALE: 3/1	

NO.	DESCRIPTION	MATERIAL	FINISH	KA/2005/10527	KA/2005/30993
	FERRULE	BRASS	NICKLE	KA/2005/10527	KA/2005/30993
	CONTACT PIN	BRASS	GOLD 3u"	KA/2005/10527	KA/2005/30993
	BODY	BRASS	GLOD	KA/2005/10527	KA/2005/30993
	INSULATOR	TEFLON	WHITE	KA/2005/50918	
	BODY	BRASS	GLOD	KA/2005/10527	KA/2005/30993
	RING	STAINALESS	NONE	KA/2005/10524	
	GASKET	SILICONE	RED	KA/2005/10529	
	SHELL	BRASS	GOLD	KA/2005/10527	KA/2005/30993
	NO. DESCRIPTION	MATERIAL	FINISH	SGS REPORT NO	